

DS-2CD2820F



Key Features

- Up to 2 megapixel (1920 × 1080) resolution, real-time output
- Standard video compression with high compression ratio
- Progressive scan CMOS, capture motion video without incised margin
- Support dual stream, and the sub-stream for mobile surveillance
- Built-in Micro SD/SDHC/SDXC card slot, up to 64 GB
- Support ROI function
- IR cut filter with auto switch
- PoE (Power over Ethernet)
- 3D DNR & DWDR
- Backlight compensation, electronic shutter for different surveillance environments
- Other functions: reset, heartbeat, mirror, PTZ control, IP address filtering, etc.

Specification

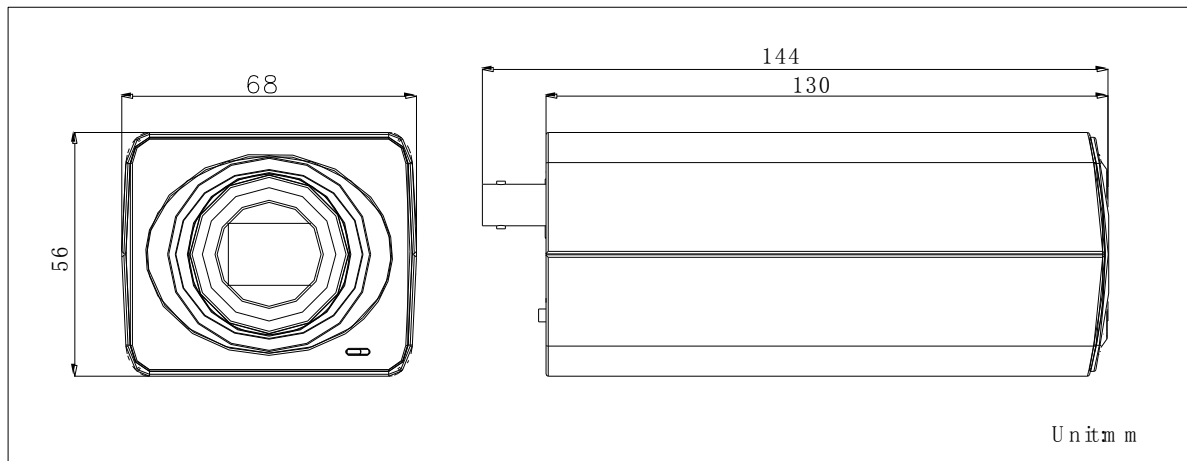
Model	DS-2CD2820F
Parameter	2 Megapixel CMOS Network Box Camera
Camera	
Image Sensor	1/2.8" Progressive Scan CMOS
Min. Illumination	0.05 Lux @(F2.0,AGC ON)
Shutter Speed	1/25(1/30) s to 1/100,000 s
Lens Mount	C/CS
Day & Night	IR cut filter with auto switch
Digital Noise Reduction	3D DNR

Wide Dynamic Range	Digital WDR
Compression Standard	
Video Compression	H.264/ MJPEG
Video Bit Rate	32 Kbps – 8 Mbps
Dual Stream	Yes
Audio Compression	G.711/G.726/MP2L2
Audio Bit Rate	64Kbps(G.711) / 16Kbps(G.726) / 32-128Kbps(MP2L2)
Image	
Max. Resolution	1920 × 1080
Frame Rate	50Hz: 25fps(1920 × 1080) 25fps (1280 × 960), 25fps (1280 × 720) 60Hz: 30fps(1920 × 1080) 30fps (1280 × 960), 30fps (1280 × 720)
Image Settings	Rotate mode, Saturation, Brightness, Contrast adjustable by client software or web browser
Backlight compensation	Yes, zone optional
ROI	Yes, up to 4 configurable areas
Network	
Network Storage	NAS
Alarm Trigger	Motion detection, Dynamic analysis, Tampering alarm
Protocols	TCP/IP,ICMP,HTTP,HTTPS,FTP,DHCP,DNS,DDNS,RTP,RTSP,RTCP, PPPoE,NTP,UPnP,SMTP,SNMP,IGMP,802.1X,QoS,IPv6,Bonjour
Security	User Authentication, Watermark
Standard	ONVIF, PSIA, CGI, ISAPI
Interface	
Communication Interface	1 RJ45 10M/100M Ethernet interface, 1RS485 interface
Alarm Input	1
Alarm Output	1
Audio Input	1-ch 3.5 mm audio interface, Mic in/Line in
Audio Output	1-ch 3.5 mm audio interface
Video Output	1Vp-p Composite Output(75Ω/BNC)
General	
Operating Conditions	-30 °C – 60 °C (-22 °F – 140 °F) Humidity 95% or less (non-condensing)
Power Supply	12 V DC ± 10% , PoE (802.3af)
Power Consumption	Max. 9 W
Dimensions	68×56×144 mm (2.58" × 2.13" × 5.47")
Weight	700g (1.54 lbs)

Order Models

DS-2CD2820F

Dimensions



Accessories



Indoor wall mount
DS-1212ZJ



3MP IR Auto-iris & Vari-focal lens
TV0309D-MPIR



Outdoor camera housing
DS-1321HZ



Indoor camera housing
DS-1320HZ